



AVK POST INDICATOR, TELESCOPIC, STEEL BARREL

34/00-001

Steel stem, BK331 stemnut, A4 bolts, red RAL 3000 polyester + bitumen coating, OL, UL/FM

AVK post indicators have a unique telescoping stem design which eliminates the need to disassemble and saw off sections of the stem during installation. The operating wrench can be locked on to make the valves tamper proof, and the AVK post indicators have a pre-cast threaded boss for mounting a supervisory switch.

Product description:

Post indicator, telescopic, for 2-24 inch valves

Standards:

- Designed according to DIN/AWWA, Designed according to FM class no. 1110, Designed according to UL 789

Test/Approvals:

- FM Approved, UL/ULC listed

Features:

- DN100 and above UL/ULC listed and FM approved
- Designed to operate on DN50-600 (2 inch - 24 inch) indicator valves
- Available in 3 basic lengths, each with 23 inch adjustment range and easy adjustment without disassembly
- Prepared for supervisory switch
- Lockable with strap
- Head and bonnet of ductile iron with epoxy coating internally and externally and a topcoat of UV-resistant polyester coating externally. Lower barrel of cast steel with bitumen coating, optionally of PVC.



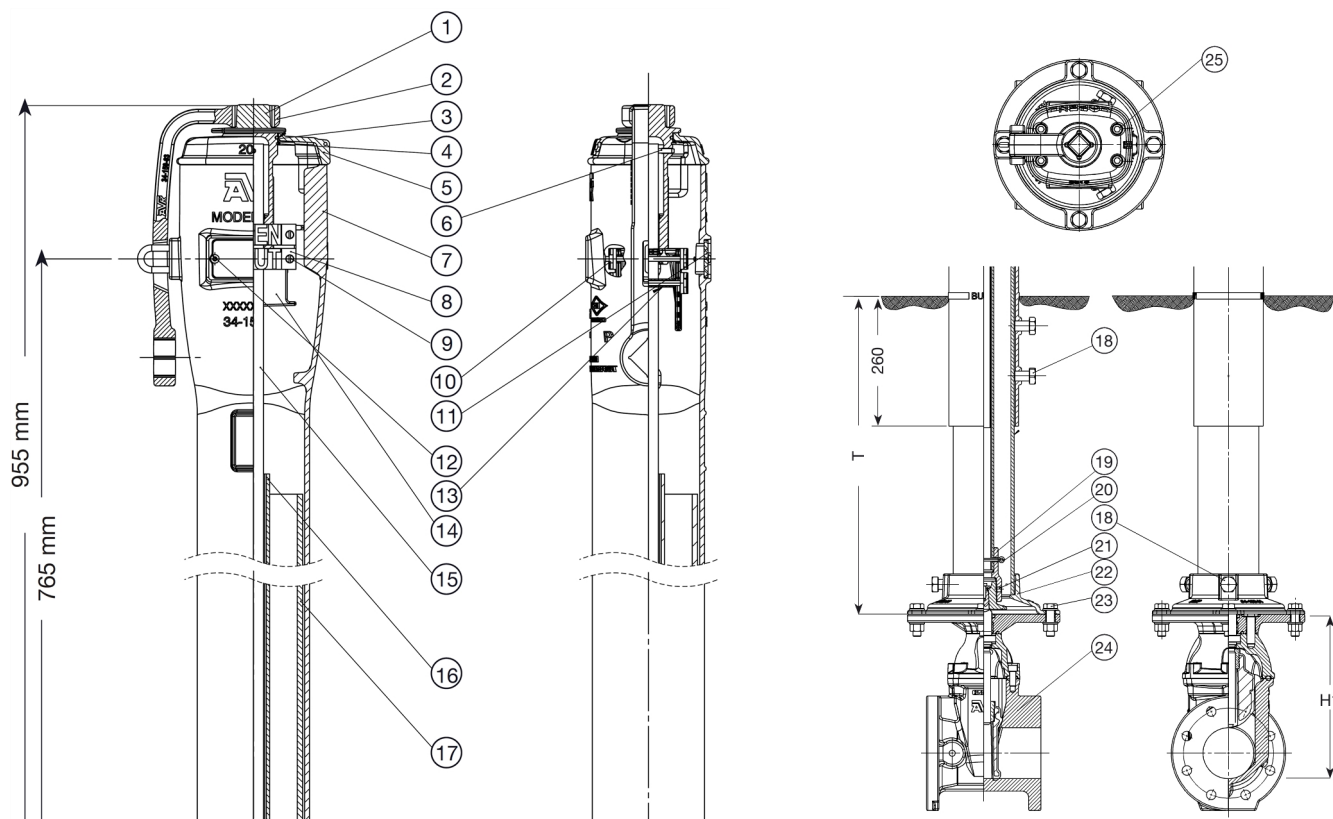
Expect ... **AVR**

The designs, materials and specifications shown are subject to change without notice due to the continuous development of our product range.

AVK POST INDICATOR, TELESCOPIC, STEEL BARREL

34/00-001

Steel stem, BK331 stemnut, A4 bolts, red RAL 3000 polyester + bitumen coating, OL, UL/FM



Component list:

1. Stem nut	Copper alloy	14. Target	Copper alloy
2. Operating wrench	Ductile iron GJS-500-7 (GGG-50)	15. Upper stem	Steel
3. O-ring	NBR rubber	16. Lower stem	Steel
4. Circlip ring	Stainless steel A2	17. Lower barrel	Steel
5. Indicator bonnet	Ductile iron GJS-500-7 (GGG-50)	18. Bolt	Stainless steel
6. Tension pin	Stainless steel	19. Wrench nut	Ductile iron GJS-500-7 (GGG-50)
7. Indicator head	Ductile iron GJS-500-7 (GGG-50)	20. Tension pin	Stainless steel
8. Target sign	Aluminium	21. Set screw	Stainless steel
9. Bolt/washer	Stainless steel	22. Post indicator bell	Ductile iron GJS-500-7 (GGG-50)
10. Nut	Stainless steel	23. Bolt/nut/washer	Stainless steel
11. Sign cover	Glass	24. Valve housing	Ductile iron GJS-500-7 (GGG-50)
12. Screw	Stainless steel	25. Bolt	Stainless steel
13. Spacer pipe	Carbon steel		

Components may be substituted with equivalent or higher class materials without prior notification.

Reference nos. and dimensions:

AVK ref. no.	DN	T	T factory set	H1	H1	Theoretical
	mm	mm	mm	mm	Inch	weight/kg
34-050-00-00010010 (1)	50	505 - 1090	635	257	10	72
34-050-00-01010010 (1)	50	1065-1660	1194	257	10	86
34-050-00-02010010 (1)	50	1625-2210	1752	257	10	100
34-065-00-00010010 (1)	65	505 - 1090	635	270	10½	72
34-065-00-01010010 (1)	65	1065-1660	1194	270	10½	86
34-065-00-02010010 (1)	80	1625-2210	1752	270	10½	100
34-080-00-00010010 (1)	80	505 - 1090	635	285	11	72
34-080-00-01010010 (1)	80	1065-1660	1194	285	11	86
34-080-00-02010010 (1)	80	1625 - 2210	1752	285	11	100
34-100-00-00010010	100	505 - 1090	635	330	13	72
34-100-00-01010010	100	1065 - 1660	1194	330	13	86

The designs, materials and specifications shown are subject to change without notice due to the continuous development of our product range.

AVK POST INDICATOR, TELESCOPIC, STEEL BARREL**34/00-001****Steel stem, BK331 stemnut, A4 bolts, red RAL 3000 polyester + bitumen coating, OL, UL/FM****Reference nos. and dimensions:**

AVK ref. no.	DN mm	T mm	T factory set mm	H1 mm	H1 Inch	Theoretical weight/kg
34-100-00-02010010	100	1626 - 2210	1752	330	13	100
34-150-00-00010010	150	505 - 1090	635	455	18	72
34-150-00-01010010	150	1065 - 1660	1194	455	18	86
34-150-00-02010010	150	1625 - 2210	1752	455	18	100
34-200-00-00010010	200	505 - 1090	635	575	22½	72
34-200-00-01010010	200	1065 - 1660	1194	575	22½	86
34-200-00-02010010	200	1625 - 2210	1752	575	22½	100
34-250-00-00010010	250	505 - 1090	635	685	27	72
34-250-00-01010010	250	1065 - 1660	1194	685	27	86
34-250-00-02010010	250	1625 - 2210	1752	685	27	100
34-300-00-00010010	300	505 - 1090	635	787	31	72
34-300-00-01010010	300	1065 - 1660	1194	787	31	86
34-300-00-02010010	300	1625 - 2210	1752	787	31	100
34-350-00-00010010	350	505 - 1090	635	980	38½	72
34-350-00-01010010	350	1065 - 1660	1194	980	38½	86
34-350-00-02010010	350	1625 - 2210	1752	980	38½	100
34-400-00-00010010	400	505 - 1090	635	1010	39½	72
34-400-00-01010010	400	1065 - 1660	1194	1010	39½	86
34-400-00-02010010	400	1625 - 2210	1752	1010	39½	100
34-450-00-00010010	450	505 - 1090	635	1283	50½	72
34-450-00-01010010	450	1065 - 1660	1194	1283	50½	86
34-450-00-02010010	450	1625 - 2210	1752	1283	50½	100
34-500-00-00010010	500	505 - 1090	635	1308	51½	72
34-500-00-01010010	500	1065 - 1660	1194	1308	51½	86
34-500-00-02010010	500	1625 - 2210	1752	1308	51½	100
34-600-00-00010010	600	505 - 1090	635	1537	60½	72
34-600-00-01010010	600	1065 - 1660	1194	1537	60½	86
34-600-00-02010010	600	1625 - 2210	1752	1537	60½	100

(1) Not UL/ULC and FM approved